



-O  
3 x 2,5



IP65



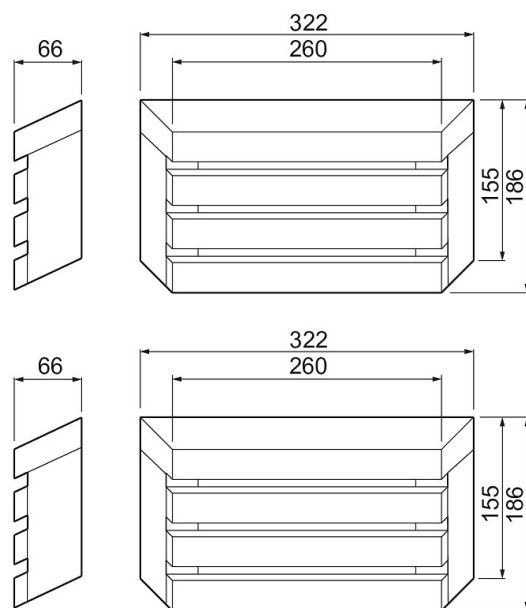
# Saunaled Hor

## IP65 8W/827 DIM PCO TRL H

Saunaled H Sauna luminaire 8W 2700K 500lm Dim phase cut-on; IP65; Protection cl. I; L70B50 15000h; LED not exchangeable; CRI>80; SDCM5; Ending; 3x2.5mm<sup>2</sup>; Housing al; Colour wh; Cover Plastic, opal



IP65 8W/827 DIM PCO TRL H			
PRODUCT CODE	CODE	KG	PRODUCT FAMILY
4126227	A1SAAB	1.26	Saunaled Hor



Mounting	
Suitable for wall mounting	Yes
Suitable for suspended mounting	No
Suitable for ceiling mounting	No
Suitable for recessed mounting	Yes
Suitable for surface mounting	Yes
Suitable for light line configuration	No
Fit for workplace acc. EN 12464-1	No
Degree of protection (IP)	IP65
Degree of protection (IP), rear side	Other
Degree of protection (IP), front side	IP65
Luminaire with limited surface temperature, class "D" in acc. with EN 60598-2-24	No
Suitable for emergency lighting	No
Luminaire may be covered with thermally insulating material	No
Type of wiring	Ending
Number of poles	3
Conductor cross section (mm <sup>2</sup> )	2.5
Connection type	Screwed terminal
Connectable conductor cross section (min) (mm <sup>2</sup> )	1.5
Connectable conductor cross section (max) (mm <sup>2</sup> )	2.5

Structure	
Lamp type	LED not exchangeable
With lamp	Yes
Suitable for number of lamps	1
Lamp holder	Other
Housing material	Aluminium
Housing surface protection	Powder coating
Housing colour	White
Cover material	Plastic, opal
Type of grid	Matt
Control gear included	Yes
Exchangeable control gear	No
Energy efficiency class of light source according to EU regulation 2019/2015	G
Containing product according to 2019/2020/EU	Yes
Emergency power supply integrated	No
With air slots	No
Filament test according to IEC 60695-2-11	650 °C - 30 s

Dimming and control	
Dimmable	Yes
Dimming 0-10 V	No
Dimming 1-10 V	No
Dimming DALI	No
Dimming DALI-2	No
Dimming DMX	No
Dimming DSI	No
Dimming LineSwitch	No
Dimming manufacturer's proprietary system	No
Dimming mains voltage modulation	No
Dimming phase cut-off	Yes
Dimming phase cut-on	Yes
Dimming programmable	No
Dimming potentiometer (integrated)	No
Dimming RF	No
Dimming Sine Wave Reduction	No
Dimming Touch and Dim	No
Dimming Zigbee	No
Dimming with push-button	No
No dimming function	No
With movement sensor	No
With light sensor	No
Constant luminous flux control	No
Bluetooth operated	No
Compatible with Casambi	No
Compatible with Apple HomeKit	No
Compatible with Google Assistant	No
Compatible with Amazon Alexa	No
IFTTT support available	No

Photometric data	
Light distributor	Other
Light sharing	Symmetric
Beam angle	Open beam
Colour consistency (McAdam ellipse)	SDCM5
Light outlet	Direct
Colour of light (alphanumeric)	White
Effective luminous flux (lm)	500
Colour temperature (min) (K)	2700
Colour temperature (max) (K)	2700
Flickering value Pst LM	1
Colour rendering index CRI	80-89
Stroboscope effect value SVM	0.4
Photobiological safety according to EN 62471	RG0
Colour temperature switchable	No
Lumen setting adjustable	No
Beam angle adjustable	No

Lifetime and capacity	
Rated life time L70/B50 at 25 °C (h)	15000
Rated life time L80/B50 at 25 °C	10000
Failure rate at median useful life of 35,000 hrs at 25 °C ambient (tq) (%)	10
Failure rate at median useful life of 50,000 hrs at 25 °C ambient (tq) (%)	15
Rated ambient temperature acc. IEC62722-2-1 (min) (°C)	5
Rated ambient temperature acc. IEC62722-2-1 (max) (°C)	60

Measurements	
Width (mm)	322
Height/depth (mm)	186
Length (mm)	66
Built-in length (mm)	220
Built-in width (mm)	85
Built-in height/depth (mm)	45

Electrotechnical data	
Voltage type	AC
Nominal voltage (min) (V)	220
Nominal voltage (max) (V)	240
Nominal current (min) (mA)	45
Nominal current (max) (mA)	45
Type of control gear	Not required
Protection class according to IEC 61140	I
Suitable for lamp power (min) (W)	8
Suitable for lamp power (max) (W)	8
Maximum system power (W)	8
Luminaire efficacy (lm/W)	62
Power factor	0.9
Total harmonic distortion	20